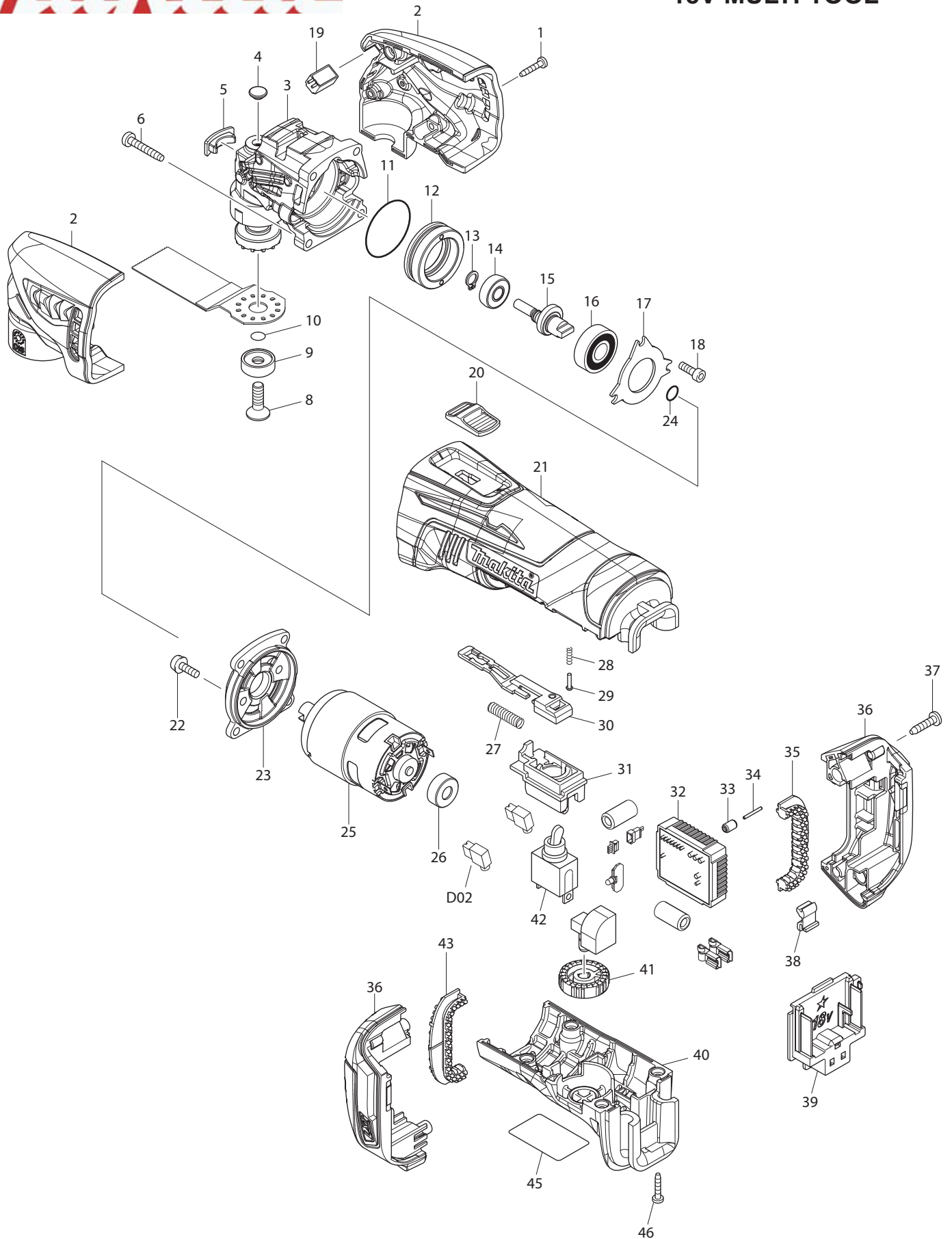




10 - 2014
LXMT021 / LXMT02ZKX1
18V MULTI-TOOL



Item No	Type	Part No	Description	Qty	Unit
1		266429-2	TAPPING SCREW 3X16	4	PC.
2		187346-2	HEAD COVER SET	1	PC.
3	2	142076-2	CRANK HOUSING COMPLETE	1	PC.
	3	142400-9	CRANK HOUSING COMPLETE	1	PC.
4		424511-5	CRANK HOUSING CAP B	1	PC.
5		424510-7	CRANK HOUSING CAP A	1	PC.
6		266374-1	TAPPING SCREW 4X25	4	PC.
8		266783-4	HEX.SOCKET C.S.H.SCREW M6X20	1	PC.
9		224455-7	OUTER FLANGE 22	1	PC.
10		213021-5	O RING 5	1	PC.
11		213479-8	O RING 33	1	PC.
12		326187-3	BEARING BOX	1	PC.
13		961003-8	RETAINING RING S-7	1	PC.
14		211392-4	SPHERE BEARING 706	1	PC.
15		326186-5	CRANK SHAFT	1	PC.
16		210059-1	BALL BEARING 6000DDW	1	PC.
17		285856-4	BEARING RETAINER	1	PC.
18		922117-8	HEX. SOCKET HEAD BOLT M4X12	3	PC.
19		620146-2	LED CIRCUIT	1	PC.
20		453761-5	SWITCH KNOB	1	PC.
21		141641-4	MOTOR HOUSING COMPLETE	1	PC.
	INC.	898804-0	CAUTION LABEL FR/SP	1	PC.
22		911516-9	PAN HEAD SCREW M4X12	2	PC.
23		453762-3	HOUSING COVER	1	PC.
24		213030-4	O RING 8	1	PC.
25		629956-4	DC MOTOR	1	PC.
26		424520-4	CAP	1	PC.
27		234263-8	COMPRESSION SPRING 5	1	PC.
28		233002-3	COMPRESSION SPRING 3	1	PC.
29		255058-6	RIVET 2	1	PC.
30		453757-6	SWITCH LEVER	1	PC.
31		453760-7	SWITCH CASE	1	PC.
32		632A03-8	CONTROLLER UNIT	1	PC.
33		263036-2	RUBBER PIN 5	1	PC.
34		268184-2	PIN 1.5	1	PC.
35		424473-7	CUSHION RUBBER	1	PC.
	3	187610-1	* BATTERY HOUSING SET	1	PC.
	INC.	263005-3	RUBBER PIN 6	2	PC.
37		266326-2	TAPPING SCREW 4X18	2	PC.
38	1	424026-2	CUSHION	1	PC.
	2	424476-1	CUSHION	1	PC.
39	1	643859-8	* TERMINAL	1	PC.
	2	643852-2	* TERMINAL	1	PC.
40		453756-8	HANDLE COVER	1	PC.
41		271617-8	DIAL 28	1	PC.
42		651423-1	SWITCH, SINGLE	1	PC.
43		424473-7	CUSHION RUBBER	1	PC.
45		897219-8	NAME PLATE F/LXMT02	1	PC.
46		266429-2	TAPPING SCREW 3X16	4	PC.
C01A		873279-4	CARTON FOR LXMT021	1	PC.
C01B		873691-8	CARTON FOR LXMT02ZKX1	1	PC.
D01		652008-6	PAN HEAD SCREW M3.5X7	2	PC.
D02		632E76-5	FLAG TERMINAL	2	PC.
ACCESSORIES		- See catalogue or visit www.makita.ca for more optional accessories -			
A01		783233-9	HEX. WRENCH 5	1	PC.
A02		141562-0	PLASTIC CARRYING CASE COMPLETE	1	PC.
	INC.	162302-3	LATCH	2	PC.
	INC.	324319-6	SHAFT	1	PC.
	INC.	451749-9	HANDLE	1	PC.

Item No	Type	Part No	Description	Qty	Unit
A03A	1	DC18RA	CHARGER DC18RA	1	PC.
	2	DC18RC	CHARGER DC18RC	1	PC.
		DC18SD	CHARGER DC18SD	1	PC.
		DC24SC	CHARGER DC24SC	1	PC.
		DC18SE	AUTOMOTIVE CHARGER DC18SE	1	PC.
A04A		194205-3	18V LI-ION BATTERY BL1830	1	PC.
		194230-4	18V LI-ION BATTERY BL1830 2/PK	1	PK
		194288-3	18V LI-ION BATTERY BL1830 10/PK	1	PK
		194309-1	18V LI-ION BATTERY BL1815	1	PC.
		194604-9	18V LI-ION BATTERY BL1815 2/PK	1	PK
		194428-3	18V LI-ION BATTERY BL1815 10/PK	1	PK
A05A		450128-8	BATTERY COVER	1	PC.
A06		195963-4	TOOL SET A - N/A for replacement. Order the component parts	1	PC.
	1	INC. 313248-8	ADAPTER A F/OTHER BRAND ACCESSORY - BULK	1	PC.
	2	INC. 196271-6	ADAPTER A F/OTHER BRAND ACCESSORY - PKG W/ORIGIN	1	PC.
		INC. 313249-6	ADAPTER C F/DREMEL ACCESSORY - BULK	1	PC.
		INC. * B-21325	SEGMENT SAW BLADE 3-1/2"	1	PC.
		INC. * B-21353	PLUNGE CUT SAW BLADE 1-1/4"	1	PC.
		INC. B-21537	SANDING PAD	1	PC.
		INC. 821538-0	PLASTIC TOOL BOX F/ TOOL SET A	1	PC.
A07		195965-0	DUST EXTRACTOR ATTACHMENT SET (See Instruction Manual Page 8 for more information)	1	PC.
		INC. 443177-2	FELT RING 37	1	PC.
		INC. 453829-7	DUST ATTACHMENT	1	PC.
		INC. 453830-2	DUST NOZZLE B	1	PC.
		INC. 453831-0	DUST NOZZLE C	1	PC.
		INC. 453833-6	NOZZLE BAND B	1	PC.
A08		* B-21272	SAW BLADE, SEGMENT BIM 3-1/4"	1	PC.
A09		* B-21294	SAW BLADE, ROUND BIM, 3-1/4"	1	PC.
A10		* B-21319	SAW BLADE, SEGMENT BIM 4"	1	PC.
A11		* B-21325	SAW BLADE, SEGMENT BIM 3-1/2"	1	PC.
A12		* B-21331	SAW BLADE, SEGMENT BIM 3-1/2"	1	PC.
A13		* B-21347	SAW BLADE, PLUNGE CUT BIM 2-1/2"	1	PC.
A14		* B-21353	SAW BLADE, PLUNGE CUT BIM 1-1/8"	1	PC.
A15		* B-21369	SAW BLADE, PLUNGE CUT BIM 1-1/4"	1	PC.
A16		* B-21381	SAW BLADE, PLUNGE CUT HCS 1-1/4"	1	PC.
A17		* B-21397	SAW BLADE, PLUNGE CUT HCS 3/4"	1	PC.
A18		* B-21406	SAW BLADE, PLUNGE CUT HCS 3/8"	1	PC.
A19		* B-21428	SAW BLADE, PLUNGE CUT BIM 3/4"	1	PC.
A20		* B-21434	SAW BLADE, PLUNGE CUT BIM 3/8"	1	PC.
A21		* B-21440	SCRAPER, RIGID HCS 2"	1	PC.
A22		* B-21456	SCRAPER, FLEXIBLE HCS 2"	1	PC.
A23		* B-21462	SEG BLADE, SERRATED HCS 4"	1	PC.
A24		* B-21478	GENERAL JOINT CUTTER, HCS, 2"	1	PC.
A25		* B-21484	HM REMOVER, 40G, 2-1/2"	1	PC.
A26		* B-21490	SAW BLADE, HM SEG 3-1/2"x1/8"	1	PC.
A27		* B-21509	SAW BLADE, HM SEG 2-1/2"x1/16"	1	PC.
A28		* B-21515	SANDING PLATE, HM 3"	1	PC.
A29		* B-21521	SAW BLADE, DIAMOND SEG 3-1/2"x1/8"	1	PC.
A30		B-21537	SANDING PAD	1	PC.
A31		B-21559	ABR PAPER D.RED ASSORT 10PK	1	PK.
A32		B-21565	ABRASIVE PAPER DELTARED LONG RED 60G-10PK	1	PK.
A33		B-21571	ABRASIVE PAPER DELTARED LONG RED 80G-10PK	1	PK.
A34		B-21587	ABRASIVE PAPER DELTARED LONG RED 100G-10PK	1	PK.
A35		B-21593	ABRASIVE PAPER DELTARED LONG RED 120G-10PK	1	PK.
A36		B-21602	ABRASIVE PAPER DELTARED LONG RED 180G-10PK	1	PK.
A37		B-22931	ABRASIVE PAPER DELTARED LONG RED 240G-10PK	1	PK.
A38		B-21674	ABRASIVE PAPER DELTARED LONG WHITE ASSORT 10PK	1	PK.
A39		B-21680	ABRASIVE PAPER DELTARED LONG WHITE 60G-10PK	1	PK.
A40		B-21696	ABRASIVE PAPER DELTARED LONG WHITE 80G-10PK	1	PK.
A41		B-21705	ABRASIVE PAPER DELTARED LONG WHITE 100G-10PK	1	PK.
A42		B-22969	ABRASIVE PAPER DELTARED LONG WHITE 120G-10PK	1	PK.
A43		B-21711	ABRASIVE PAPER DELTARED LONG WHITE 240G-10PK	1	PK.
A44		B-21727	ABRASIVE PAPER DELTARED LONG WHITE 320G-10PK	1	PK.
A45		B-21733	ABRASIVE PAPER DELTARED LONG BLACK ASSORT 10PK	1	PK.
A46		B-21749	ABRASIVE PAPER DELTARED LONG BLACK 120G-10PK	1	PK.
A47		B-21755	ABRASIVE PAPER DELTARED LONG BLACK 240G-10PK	1	PK.
A48		B-21761	ABRASIVE PAPER DELTARED LONG BLACK 400G-10PK	1	PK.

Item No	Type	Part No	Description	Qty	Unit
A49		B-21777	ABRASIVE PAPER DELTARED LONG BLACK 600G-10PK	1	PK.
A50		B-21783	ABRASIVE PAPER DELTARED LONG BLACK 1200G-10PK	1	PK.
A51		B-21799	FLEECE DELTA MEDIUM 100	1	PC.
A52		B-21808	FLEECE DELTA COARSE 280	1	PC.
A53		B-21814	FLEECE DELTA W/O GRIT	1	PC.
A54		B-21820	HARD POLISH FELT DELTA 94MM	1	PC.
A55		B-34805	BLADE, PLUNGE HM 1-1/4"	1	PC.
A56		B-34811	BLADE, PLUNGE HM 3/4"	1	PC.
A57		B-34827	KNIFE BLADE, SEG BIM 4"	1	PC.

SERVICE CHANGES

1. Changes on Battery Housing and Terminal

(T/I# 96372)

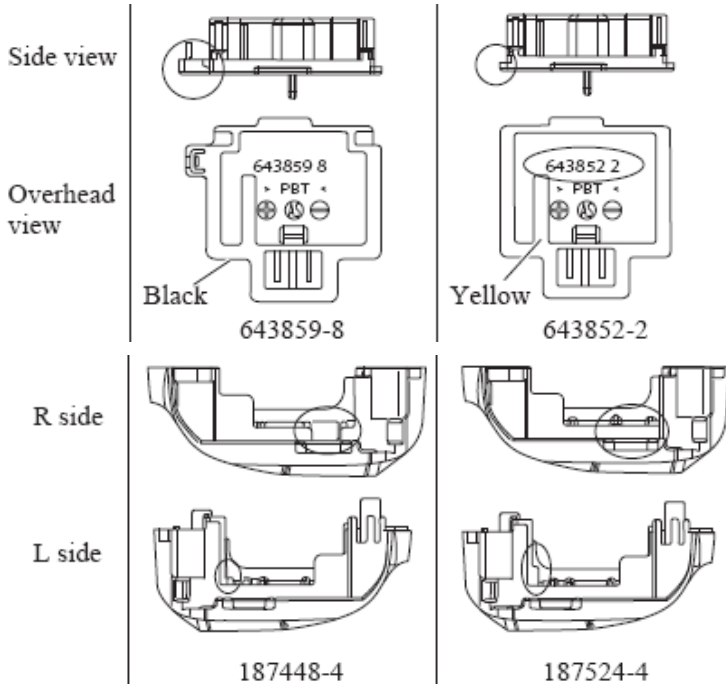
(T/I# 97991)

Item No.	Description	Type 1	Type 2	Type 3
36	Battery Holder Set	187448-4	187524-4 (N/L/A)	187610-1
39	Terminal	643859-8		643852-2

Above parts are completely interchangeable as a set.

Terminal Type 1
Terminal Type 2

Black, unable to use BL1815
Yellow, able to use BL1815



When replacing Terminal manufactured from initial production to May 2012, use new Terminal (643852-2) and new Battery housing (187524-4).

It is impossible to set new Terminal (643852-2) in current Battery housing (187448-4).

2. Changes on Blades

Hole has been modified as below (From April 2013 Production)

(T/I# 98331)

Item No.	Description	Type 1
A08	SAW BLADE, SEGMENT BIM 3-1/4"	B-21272
A09	SAW BLADE, ROUND BIM, 3-1/4"	B-21294
A10	SAW BLADE, SEGMENT BIM 4"	B-21319
A11	SAW BLADE, SEGMENT BIM 3-1/2"	B-21325
A12	SAW BLADE, SEGMENT BIM 3-1/2"	B-21331
A13	SAW BLADE, PLUNGE CUT BIM 2-1/2"	B-21347
A14	SAW BLADE, PLUNGE CUT BIM 1-1/8"	B-21353
A15	SAW BLADE, PLUNGE CUT BIM 1-1/4"	B-21369
A16	SAW BLADE, PLUNGE CUT HCS 1-1/4"	B-21381
A17	SAW BLADE, PLUNGE CUT HCS 3/4"	B-21397
A18	SAW BLADE, PLUNGE CUT HCS 3/8"	B-21406
A19	SAW BLADE, PLUNGE CUT BIM 3/4"	B-21428
A20	SAW BLADE, PLUNGE CUT BIM 3/8"	B-21434
A21	SCRAPER, RIGID HCS 2"	B-21440
A22	SCRAPER, FLEXIBLE HCS 2"	B-21456
A23	SEG BLADE, SERRATED HCS 4"	B-21462
A24	GENERAL JOINT CUTTER, HCS, 2"	B-21478
A25	HM REMOVER, 40G, 2-1/2"	B-21484
A26	SAW BLADE, HM SEG 3-1/2"x1/8"	B-21490
A27	SAW BLADE, HM SEG 2-1/2"x1/16"	B-21509
A28	SANDING PLATE, HM 3"	B-21515
A29	SAW BLADE, DIAMOND SEG 3-1/2"x1/8"	B-21521

